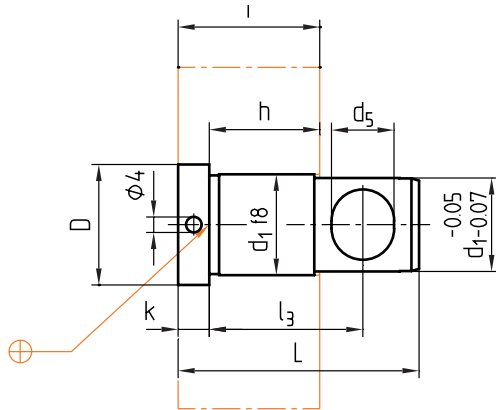


Z762/...

Mat.: 1.2343/40 + 2 HRC



► Info



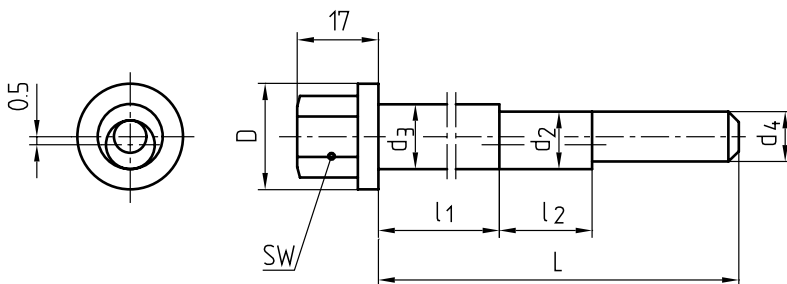
d ₅	D	k	l ₃	h	t	d ₁	L	Nr./No.
14	27	8	23,5	14	22	22	43	Z762/22x43
			28,5	19	27		48	22x48
16	31	8	30,5			26	53	26x53
			39,5	28	36		62	26x62

Z763/...

Mat.: 1.2718/52 + 2 HRC



► Info



SW	l ₁	l ₂	D	d ₄	d ₂	d ₃	L	Nr./No.
17	66	20	20	12	13	14	113	Z763/14x113
	86						133	14x133
19	109	24	22	14	15	16	164	16x164
	134						189	16x189

This is trial version
www.adultpdf.com